



General Purpose, High Pressure and Trash Pedestal Drive Pumps

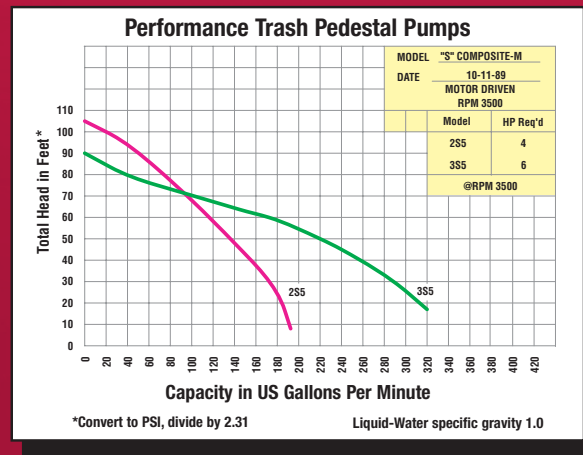
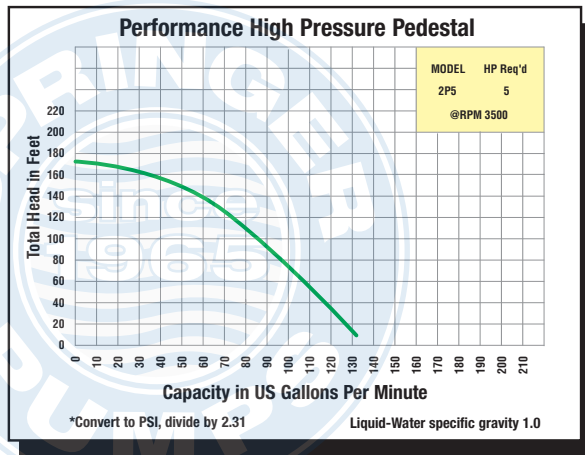
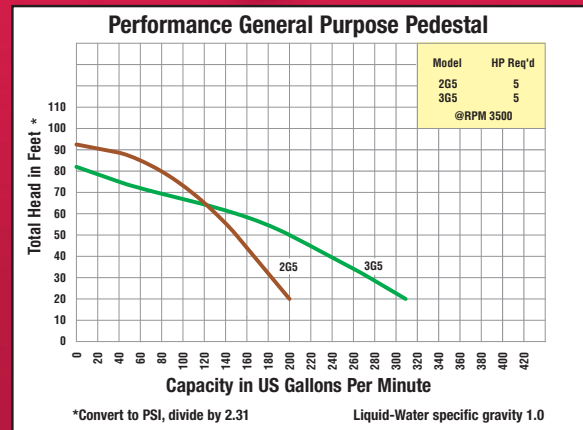
Cast Iron Self Priming Centrifugal

- ▶ **Standard Models**
- ▶ **General Purpose-Type G Only**
 - * Cast Iron Impeller and Volute (for long life)
 - *EPDM Seals and O-Rings
- ▶ **High Pressure-Type P Only**
 - * Bronze impeller (for high efficiency) and cast iron volute
 - *EPDM Seals and O-Rings
- ▶ **Trash-Type S Only**
 - * Ductile iron impeller (for resistance to breakage and abrasion)
 - * Cast iron volute (for long life)
 - * Silicon Carbide/Viton® Mechanical Seal and EPDM O-Rings

Pedestal drive units for flex-coupling to an electric motor are available in general purpose, high pressure and trash versions. All models standard with threaded impeller.



Model 3S5PC



General Purpose, High Pressure and Trash Pedestal Drive Pumps

Heavy Duty Cast Iron Pedestal Drive With Dual Sealed Ball Bearings.

3" Pedestal Drive (General Purpose)

Alum. Model #	Ship Wt. (lbs.)	HP Req'd	Flapper Valve	O-Ring	Seal Type & Elastomer/Faces
3G5PC	76	5	EPDM	EPDM	EPDM/CAR/CER

2" Pedestal Drive (Trash)

Cast Iron Model #	Ship Wt. (lbs.)	HP Req'd	Flapper Valve	O-Ring	Seal Type & Elastomer/Faces
2S5PC	60	5	EPDM	EPDM	Viton®*/Sic/Sic

*Viton® is a registered trademark of DuPont

2" Pedestal Drive (General Purpose)

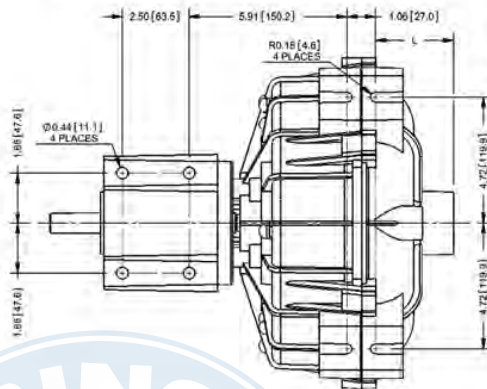
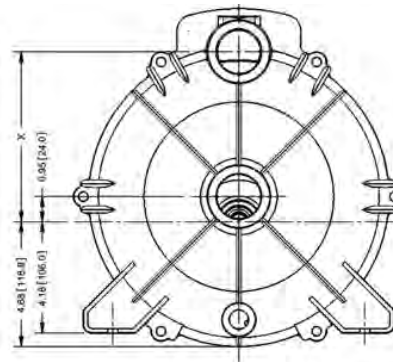
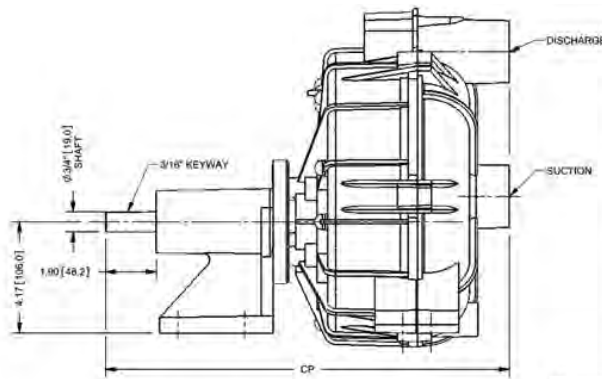
Alum. Model #	Ship Wt. (lbs.)	HP Req'd	Flapper Valve	O-Ring	Seal Type & Elastomer/Faces
2G5PC	57	5	EPDM	EPDM	EPDM/CAR/CER

2" Pedestal Drive (High Pressure)

Alum. Model #	Ship Wt. (lbs.)	HP Req'd	Flapper Valve	O-Ring	Seal Type & Elastomer/Faces
2P5PC	57	5	EPDM	EPDM	EPDM/CAR/CER

3" Pedestal Drive (Trash)

Cast Iron Model #	Ship Wt. (lbs.)	HP Req'd	Flapper Valve	O-Ring	Seal Type & Elastomer/Faces
3S5PC	80	6	EPDM	EPDM	Viton®*/Sic/Sic



NOTE: T-HANDLES USED ON TRASH PUMP MODELS.

MODEL	SUCT *	DISCH *	C	D	E	F
2G3P 2G5P	2.00 **	2.00 **	13.31	10.55	3.99	13.56
2P5P 2S5P	[50.8]	[50.8]	[338.1]	[268.0]	[101.3]	[344.4]
3G5P 3S5P	3.00 *	3.00 *	14.55	11.14	6.54	16.11
	[76.2]	[76.2]	[369.6]	[283.0]	[166.1]	[409.2]

(*) STANDARD NPT (MALE) PIPE THREAD
 (**) STANDARD NPT (FEMALE) PIPE THREAD

Standard Features

- Stainless Steel Internal Screws and Pins (For Easy Servicing)
- Large Pump Casing (For Fast Priming)
- Built-in EPDM Check Valve (For Fast Priming)
- Horizontal Discharge (No Need To Buy Elbow)
- Threaded Connections (No Need to Buy Nipples)
- Stainless Steel Shaft Sleeve (On Threaded Models Only)
- Strainer Supplied with Each Pump (To Eliminate Clogging)



See price book page 11

The Gorman-Rupp Company reserves the right to discontinue any model or change specifications at any time without incurring any obligation.

*Teflon® is a registered trademark of DuPont

CP31-32/ 0708